

FEATURED MODEL

501-206 7" bowl depth

FEATURES

- 20 gauge, 304 series stainless steel
- 18/8 chrome/nickel content
- Long-lasting, easy-to-clean, satin finish
- Straight bowl sides with 1-3/4" cutout corner radius

WARRANTY

Blanco America's BLANCOSPEX™ Series sinks feature a 25-year "NO HASSLE" LIMITED WARRANTY to be free of all manufacturing defects under normal use. See our complete warranty for details.

While Blanco America endeavors to provide accurate information, all dimensions are nominal, cannot be guaranteed, and are subject to change or cancellation. Blanco America assumes no responsibility for use of superseded or voided specifications.

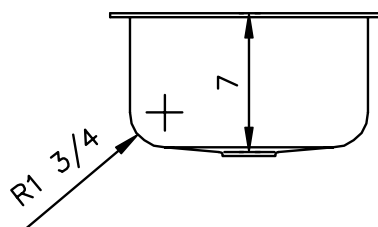
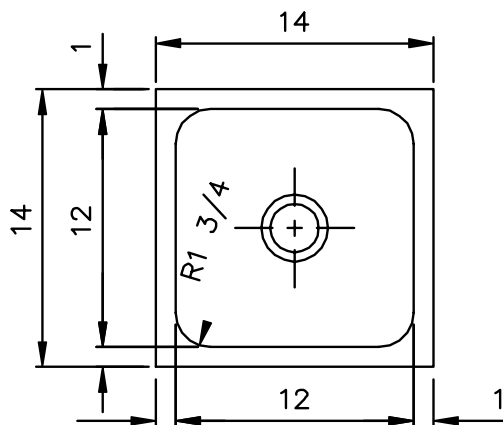


MODEL 501-206

NOMINAL DIMENSIONS

MODEL	OVERALL	CUTOUT SIZE	BOWL DEPTH	DRAIN DIAMETER
501-206	14 x 14	Template provided with approximate 1/8" reveal	7	3-1/2

DXF cutout templates available on our web site or this specification CD.



PRODUCT SPECIFICATION

Undermount sink to be bar sink design, 14" in length and 14" in front-to-back depth. Sink to be made from 20 gauge, 304 series stainless steel, with 18/8 chrome/nickel content and satin finish. Sink to feature straight bowl sides with 1-3/4" cutout corner radius. Sink to be Blanco Model 501-206, with bowl depth of 7".

JOB INFORMATION

Job Name: _____

Contact: _____

Date Specified: _____

Specifier: _____

Contractor: _____